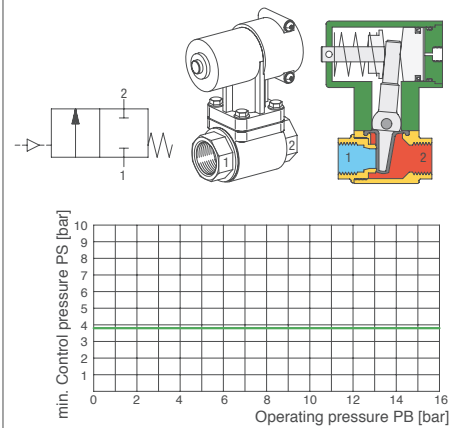


2/2-Way Coaxial Piston Actuated Valve - Type PKV Series 100

Product group	59	"A" in 0-position closed (closing against the flow)	For neutral, gaseous or fluids	DN 15 (G 1/2) and DN 20 (G 3/4)	Brass
---------------	-----------	---	--------------------------------	---------------------------------	--------------

DN	Kv-value water [m³/h]	G	OP	PS	Sealing material	Type	Order number	Price
15	4.8	G 1/2	0 - 16	3.8 - 10	NBR	PKV-131-A11-1/2B	626201	o. r.
15	4.8	G 1/2	0 - 16	3.8 - 10	HNBR	PKV-131-A11-1/2H	626202	o. r.
15	4.8	G 1/2	0 - 16	3.8 - 10	EPDM	PKV-131-A11-1/2P	626203	o. r.
15	4.8	G 1/2	0 - 16	3.8 - 10	FKM	PKV-131-A11-1/2F	626205	o. r.
20	8	G 3/4	0 - 10	3.8 - 10	NBR	PKV-131-A11-3/4B	626206	o. r.
20	8	G 3/4	0 - 10	3.8 - 10	HNBR	PKV-131-A11-3/4H	626207	o. r.
20	8	G 3/4	0 - 10	3.8 - 10	EPDM	PKV-131-A11-3/4P	626208	o. r.
20	8	G 3/4	0 - 10	3.8 - 10	FKM	PKV-131-A11-3/4F	626210	o. r.

Illustration

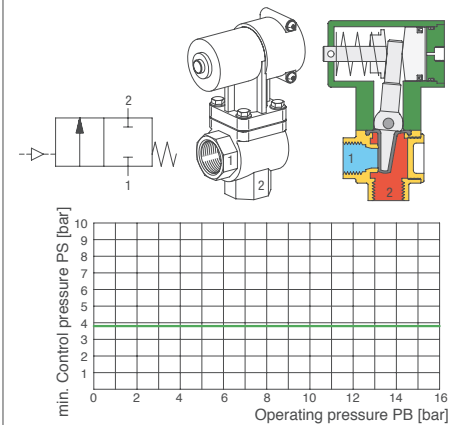


2/2-Way 90° Piston Actuated Valve - Type PKV Series 100

Product group	59	"A" in 0-position closed (closing against the flow)	For neutral, gaseous or fluids	DN 15 (G 1/2) and DN 20 (G 3/4)	Brass
---------------	-----------	---	--------------------------------	---------------------------------	--------------

DN	Kv-value water [m³/h]	G	OP	PS	Sealing material	Type	Order number	Price
15	5.8	G 1/2	0 - 16	3.8 - 10	NBR	PKV-134-A12-1/2B	626301	o. r.
15	5.8	G 1/2	0 - 16	3.8 - 10	HNBR	PKV-134-A12-1/2H	626302	o. r.
15	5.8	G 1/2	0 - 16	3.8 - 10	EPDM	PKV-134-A12-1/2P	626303	o. r.
15	5.8	G 1/2	0 - 16	3.8 - 10	FKM	PKV-134-A12-1/2F	626305	o. r.
20	11.7	G 3/4	0 - 10	3.8 - 10	NBR	PKV-134-A12-3/4B	626306	o. r.
20	11.7	G 3/4	0 - 10	3.8 - 10	HNBR	PKV-134-A12-3/4H	626307	o. r.
20	11.7	G 3/4	0 - 10	3.8 - 10	EPDM	PKV-134-A12-3/4P	626308	o. r.
20	11.7	G 3/4	0 - 10	3.8 - 10	FKM	PKV-134-A12-3/4F	626310	o. r.

Illustration

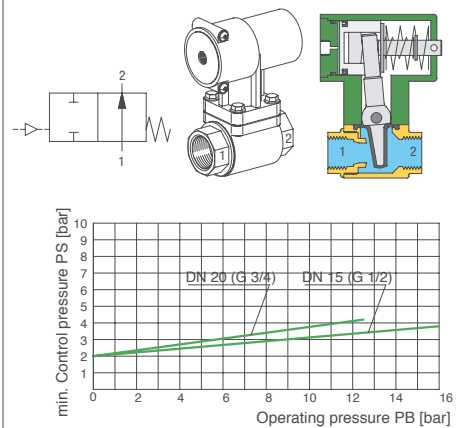


2/2-Way Coaxial Piston Actuated Valve - Type PKV Series 100

Product group	59	"B" in 0-position open (closing against the flow)	For neutral, gaseous or fluids	DN 15 (G 1/2) and DN 20 (G 3/4)	Brass
---------------	-----------	---	--------------------------------	---------------------------------	--------------

DN	Kv-value water [m³/h]	G	OP	PS	Sealing material	Type	Order number	Price
15	4.8	G 1/2	0 - 16	2 - 10	NBR	PKV-131-B82-1/2B	626401	o. r.
15	4.8	G 1/2	0 - 16	2 - 10	HNBR	PKV-131-B82-1/2H	626402	o. r.
15	4.8	G 1/2	0 - 16	2 - 10	EPDM	PKV-131-B82-1/2P	626403	o. r.
15	4.8	G 1/2	0 - 16	2 - 10	FKM	PKV-131-B82-1/2F	626405	o. r.
20	8	G 3/4	0 - 12.5	2 - 10	NBR	PKV-131-B82-3/4B	626406	o. r.
20	8	G 3/4	0 - 12.5	2 - 10	HNBR	PKV-131-B82-3/4H	626407	o. r.
20	8	G 3/4	0 - 12.5	2 - 10	EPDM	PKV-131-B82-3/4P	626408	o. r.
20	8	G 3/4	0 - 12.5	2 - 10	FKM	PKV-131-B82-3/4F	626410	o. r.

Illustration

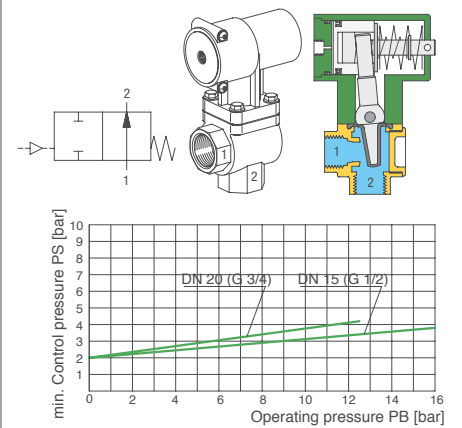


2/2-Way 90° Piston Actuated Valve Type PKV Series 100

Product group	59	"B" in 0-position open (closing against the flow)	For neutral, gaseous or fluids	DN 15 (G 1/2) and DN 20 (G 3/4)	Brass
---------------	-----------	---	--------------------------------	---------------------------------	--------------

DN	Kv-value water [m³/h]	G	OP	PS	Sealing material	Type	Order number	Price
15	5.8	G 1/2	0 - 16	2 - 10	NBR	PKV-134-B81-1/2 B	626501	o. r.
15	5.8	G 1/2	0 - 16	2 - 10	HNBR	PKV-134-B81-1/2 H	626502	o. r.
15	5.8	G 1/2	0 - 16	2 - 10	EPDM	PKV-134-B81-1/2 P	626503	o. r.
15	5.8	G 1/2	0 - 16	2 - 10	FKM	PKV-134-B81-1/2 F	626505	o. r.
20	11.7	G 3/4	0 - 12.5	2 - 10	NBR	PKV-134-B81-3/4 B	626506	o. r.
20	11.7	G 3/4	0 - 12.5	2 - 10	HNBR	PKV-134-B81-3/4 H	626507	o. r.
20	11.7	G 3/4	0 - 12.5	2 - 10	EPDM	PKV-134-B81-3/4 P	626508	o. r.
20	11.7	G 3/4	0 - 12.5	2 - 10	FKM	PKV-134-B81-3/4 F	626510	o. r.

Illustration

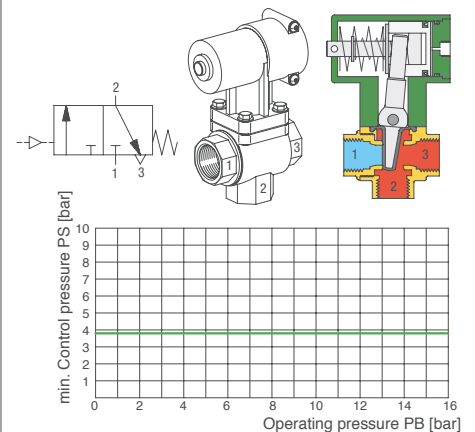


3/2-Way Piston Actuated Valve - Type PKV Series 100

Product group	59	"C" in 0-position "1" closed, "2" to "3" discharged	For neutral, gaseous or fluids	DN 15 (G 1/2) and DN 20 (G 3/4)	Brass
---------------	-----------	---	--------------------------------	---------------------------------	--------------

DN	Kv-value water [m³/h]	G	OP	PS	Sealing material	Type	Order number	Price
15	5	G 1/2	0 - 16	3.8 - 10	NBR	PKV-137-C61-1/2B	626601	o. r.
15	5	G 1/2	0 - 16	3.8 - 10	HNBR	PKV-137-C61-1/2H	626602	o. r.
15	5	G 1/2	0 - 16	3.8 - 10	EPDM	PKV-137-C61-1/2P	626603	o. r.
15	5	G 1/2	0 - 16	3.8 - 10	FKM	PKV-137-C61-1/2F	626605	o. r.
20	8.9	G 3/4	0 - 10	3.8 - 10	NBR	PKV-137-C61-3/4B	626606	o. r.
20	8.9	G 3/4	0 - 10	3.8 - 10	HNBR	PKV-137-C61-3/4H	626607	o. r.
20	8.9	G 3/4	0 - 10	3.8 - 10	EPDM	PKV-137-C61-3/4P	626608	o. r.
20	8.9	G 3/4	0 - 10	3.8 - 10	FKM	PKV-137-C61-3/4F	626610	o. r.

Illustration

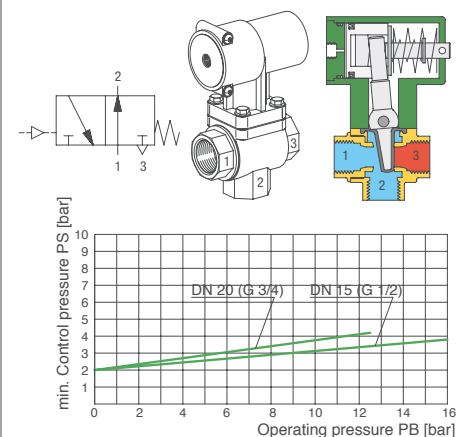


3/2-Way Piston Actuated Valve - Type PKV Series 100

Product group	59	"D" in 0-position "1" to "2" open, "3" closed	For neutral, gaseous or fluids	DN 15 (G 1/2) and DN 20 (G 3/4)	Brass
---------------	-----------	---	--------------------------------	---------------------------------	--------------

DN	Kv-value water [m³/h]	G	OP	PS	Sealing material	Type	Order number	Price
15	5	G 1/2	0 - 16	2 - 10	NBR	PKV-137-D82-1/2B	626651	o. r.
15	5	G 1/2	0 - 16	2 - 10	HNBR	PKV-137-D82-1/2H	626652	o. r.
15	5	G 1/2	0 - 16	2 - 10	EPDM	PKV-137-D82-1/2P	626653	o. r.
15	5	G 1/2	0 - 16	2 - 10	FKM	PKV-137-D82-1/2F	626655	o. r.
20	8.9	G 3/4	0 - 12.5	2 - 10	NBR	PKV-137-D82-3/4B	626656	o. r.
20	8.9	G 3/4	0 - 12.5	2 - 10	HNBR	PKV-137-D82-3/4H	626657	o. r.
20	8.9	G 3/4	0 - 12.5	2 - 10	EPDM	PKV-137-D82-3/4P	626658	o. r.
20	8.9	G 3/4	0 - 12.5	2 - 10	FKM	PKV-137-D82-3/4F	626660	o. r.

Illustration

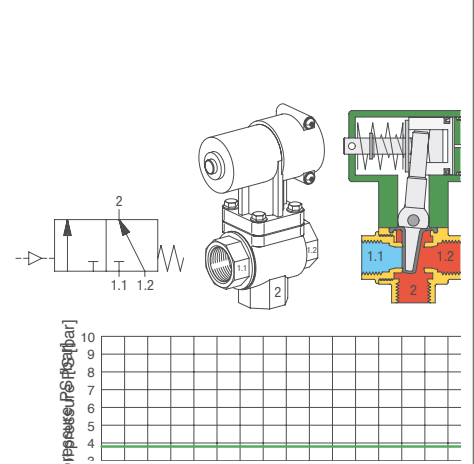


3/2-Way Piston Actuated Valve - Type PKV Series 100

Product group	59	"E" in 0-position "1.1" to "2" closed, "1.2" to "2" open	For neutral, gaseous or fluids	DN 15 (G 1/2) and DN 20 (G 3/4)	Brass
---------------	-----------	--	--------------------------------	---------------------------------	--------------

DN	Kv-value water [m³/h]	G	OP	PS	Sealing material	Type	Order number	Price
15	5	G 1/2	0 - 16	3.8 - 10	NBR	PKV-137-E61-1/2B	626701	o. r.
15	5	G 1/2	0 - 16	3.8 - 10	HNBR	PKV-137-E61-1/2H	626702	o. r.
15	5	G 1/2	0 - 16	3.8 - 10	EPDM	PKV-137-E61-1/2P	626703	o. r.
15	5	G 1/2	0 - 16	3.8 - 10	FKM	PKV-137-E61-1/2F	626705	o. r.
20	8.9	G 3/4	0 - 10	3.8 - 10	NBR	PKV-137-E61-3/4B	626706	o. r.
20	8.9	G 3/4	0 - 10	3.8 - 10	HNBR	PKV-137-E61-3/4H	626707	o. r.
20	8.9	G 3/4	0 - 10	3.8 - 10	EPDM	PKV-137-E61-3/4P	626708	o. r.
20	8.9	G 3/4	0 - 10	3.8 - 10	FKM	PKV-137-E61-3/4F	626710	o. r.

Illustration



3/2-Way Piston Actuated Valve - Type PKV Series 100

Product group	59	"F" in 0-position "1" to "2" closed, "1" to "4" open	For neutral, gaseous or fluids	DN 15 (G 1/2) and DN 20 (G 3/4)	Brass
---------------	-----------	--	--------------------------------	---------------------------------	--------------

DN	Kv-value water [m³/h]	G	OP	PS	Sealing material	Type	Order number	Price
15	4.5	G 1/2	0 - 16	3 - 10	NBR	PKV-137-F71-1/2B	626751	o. r.
15	4.5	G 1/2	0 - 16	3 - 10	HNBR	PKV-137-F71-1/2H	626752	o. r.
15	4.5	G 1/2	0 - 16	3 - 10	EPDM	PKV-137-F71-1/2P	626753	o. r.
15	4.5	G 1/2	0 - 16	3 - 10	FKM	PKV-137-F71-1/2F	626755	o. r.
20	8	G 3/4	0 - 10	3 - 10	NBR	PKV-137-F71-3/4B	626756	o. r.
20	8	G 3/4	0 - 10	3 - 10	HNBR	PKV-137-F71-3/4H	626757	o. r.
20	8	G 3/4	0 - 10	3 - 10	EPDM	PKV-137-F71-3/4P	626758	o. r.
20	8	G 3/4	0 - 10	3 - 10	FKM	PKV-137-F71-3/4F	626760	o. r.

Illustration

