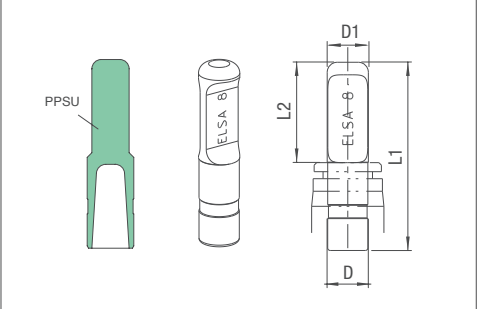


## Push-in Plug

Product group	<b>15</b>	Max. allow. OP at ambient temp. $T_{min} -20\text{ °C}, T_{max} +60\text{ °C}$			NSF		Plastic PPSU			
for push-in connector D	Max. allow. OP [bar] at medium temp.			L1	L2	D1	Weight in [g]	Type	Order number	Price
	20 °C	100 °C	140 °C							
4	20	16	10	31.5	17	6	0.7	971P3-4	237495	o. r.
6	20	16	10	34.5	19	8	1.2	971P3-6	237496	o. r.
8	16	12	10	37.5	20	8	1.7	971P3-8	237497	o. r.

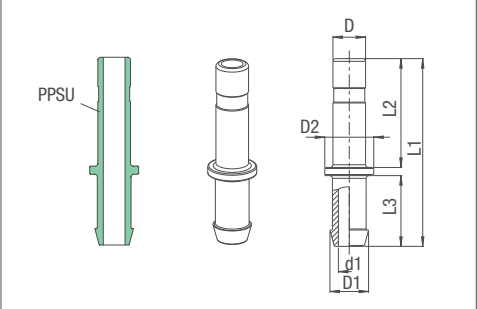
## Illustration



## Straight Stem Connector with Hose Tail

Product group	<b>15</b>	Max. allow. OP at ambient temp. $T_{min} -20\text{ °C}, T_{max} +60\text{ °C}$			NSF		Plastic PPSU							
for push-in connection	for tube LW	Max. allow. OP [bar] at medium temp.			d1	L1	L2	L3	D1	D2	Weight in [g]	Type	Order number	Price
		20 °C	100 °C	140 °C										
4	2.7-3	20	16	10	1.8	27	17	8.5	3.6	5.5	0.1	907P3-D4-3	281181	o. r.
4	3.5-4	20	16	10	2.5	28.5	17	10	5.1	6	0.1	907P3-D4-4	281182	o. r.
6	2.7-3	20	16	10	1.8	28.5	20	8.5	3.6	6	0.1	907P3-D6-3	281183	o. r.
6	3.5-4	20	16	10	2.8	30	20	10	5.1	6	0.1	907P3-D6-4	281184	o. r.
6	5-6	20	16	10	4	34.5	20	13	7.1	9	0.1	907P3-D6-7	281185	o. r.

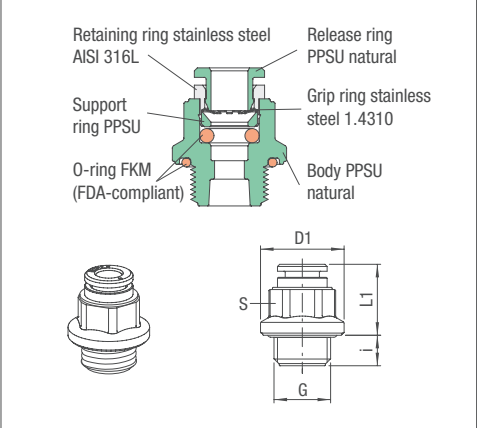
## Illustration



## Straight Adaptor - Male

Product group	<b>15</b>	Max. allow. OP at ambient temp. $T_{min} 0\text{ °C}, T_{max} +60\text{ °C}$			Thread cylindrical	Thread sealed by a FKM O-Ring in recess	Tightening torque 3-3.5 Nm	NSF		Plastic PPSU		
for tube D	G	Max. allow. OP [bar] at medium temp.			i	L1	D1	S	Weight in [g]	Type	Order number	Price
		20 °C	100 °C	140 °C								
4	G 1/8	20	16	10	6	17	16	14	4.3	951P3-4FF-1/8	367051	o. r.
4	G 1/4	20	16	10	7	16	19	14	5.1	951P3-4FF-1/4	367052	o. r.
6	G 1/8	20	16	10	6	17.5	16	14	4.6	951P3-6FF-1/8	367053	o. r.
6	G 1/4	20	16	10	7	16.5	19	14	5.4	951P3-6FF-1/4	367054	o. r.

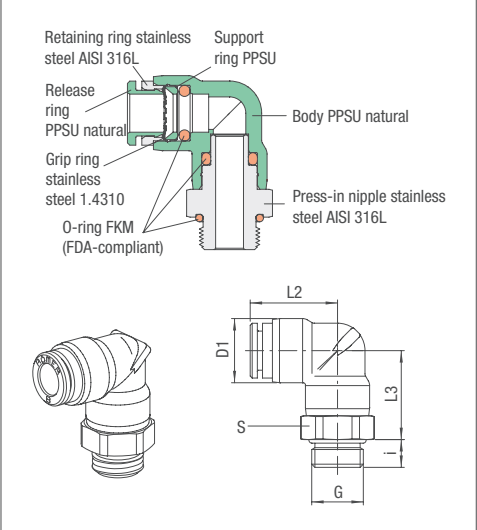
## Illustration



## 90° Elbow Adaptor - Male - Positionable

Product group	<b>15</b>	Max. allow. OP at ambient temp. $T_{min} 0\text{ °C}, T_{max} +60\text{ °C}$			Thread cylindrical	Thread sealed by a FKM O-Ring in recess	not suitable for rotating or oscill. movement	NSF		Plastic PPSU			
for tube D	G	Max. allow. OP [bar] at medium temp.			i	L2	L3	D1	S	Weight in [g]	Type	Order number	Price
		20 °C	100 °C	140 °C									
4	M 5	20	16	10	3.5	15	11	10	8	3.7	930P3-4FF-M5	367057	o. r.
4	G 1/8	20	16	10	5	17.5	18.5	12	13	14.4	930P3-4FF-1/8	367058	o. r.
4	G 1/4	20	16	10	7	19	20	12	17	24	930P3-4FF-1/4	367059	o. r.
6	M 5	20	16	10	3.5	17	11	12	8	4.3	930P3-6FF-M5	367060	o. r.
6	G 1/8	20	16	10	5	19.5	19.5	14	13	15.6	930P3-6FF-1/8	367061	o. r.
6	G 1/4	20	16	10	7	19.5	20	14	17	24.2	930P3-6FF-1/4	367062	o. r.
8	G 1/8	16	12	6	5	22.5	22.5	17	17	25	930P3-8FF-1/8	366805	o. r.
8	G 1/4	16	12	6	7	22.5	22.5	17	17	40.0	930P3-8FF-1/4	366806	o. r.
8	G 3/8	16	12	6	8	22.5	22.5	17	19	38.4	930P3-8FF-3/8	366807	o. r.

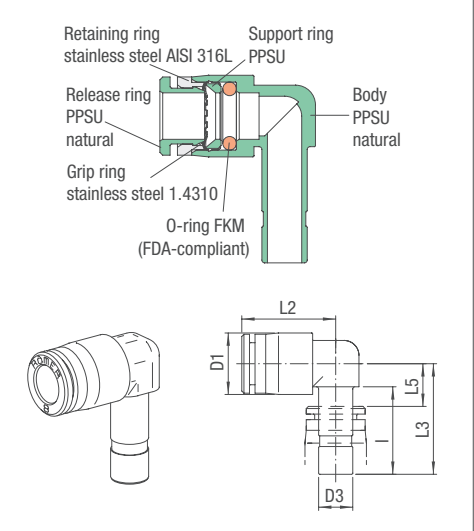
## Illustration



### 90° Elbow Connector with Stem

Product group	<b>15</b>	Max. allow. OP at ambient temp. $T_{min} 0\text{ }^{\circ}\text{C}, T_{max} +60\text{ }^{\circ}\text{C}$			NSF		Plastic PPSU						
for tube D	Stem D3	Max. allow. OP [bar] at medium temp.			L1	L2	L3	D1	L5	Weight in [g]	Type	Order number	Price
		20 °C	100 °C	140 °C									
4	4	20	16	10	17.5	19	22	12.5	7	o. r.	911P3-4FF-D4	367001	o. r.
4	6	20	16	10	18.5	19	23	12.5	7.2	o. r.	911P3-4FF-D6	367002	o. r.
6	4	20	16	10	17.5	19.5	22	14	7	o. r.	911P3-6FF-D4	367003	o. r.
6	6	20	16	10	18.5	19.5	23	14	7.2	o. r.	911P3-6FF-D6	367004	o. r.

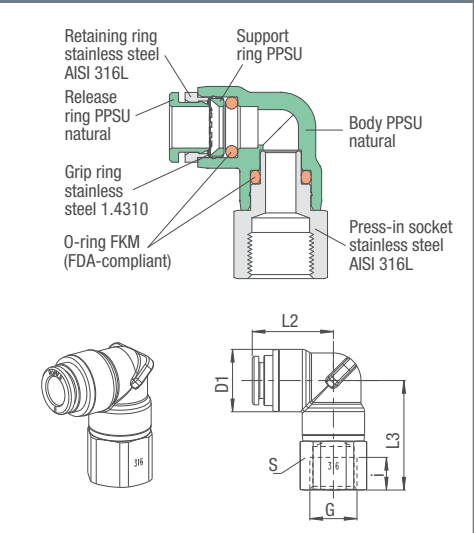
### Illustration



### 90° Elbow Adaptor - Female - Positionable

Product group	<b>15</b>	Max. allow. OP at ambient temp. $T_{min} 0\text{ }^{\circ}\text{C}, T_{max} +60\text{ }^{\circ}\text{C}$			Thread cylindrical	not suitable for rotating or oscill. movement		NSF		Plastic PPSU			
for tube D	G	Max. allow. OP [bar] at medium temp.			i	L2	L3	D1	S	Weight in [g]	Type	Order number	Price
		20 °C	100 °C	140 °C									
4	G 1/8	20	16	10	6.5	19	24.5	12	13	15.9	979P3-4FF-1/8	366762	o. r.
4	G 1/4	20	16	10	9	19	27.5	12	17	24.3	979P3-4FF-1/4	366763	o. r.
6	G 1/8	20	16	10	6.5	19.5	24.5	14	13	16.4	979P3-6FF-1/8	366764	o. r.
6	G 1/4	20	16	10	9	19.5	27.5	14	17	24.8	979P3-6FF-1/4	366765	o. r.
8	G 1/8	16	12	6	6.5	22.5	25.5	17	17	26.4	979P3-8FF-1/8	366766	o. r.
8	G 1/4	16	12	6	9	22.5	30.5	17	17	30.3	979P3-8FF-1/4	366767	o. r.

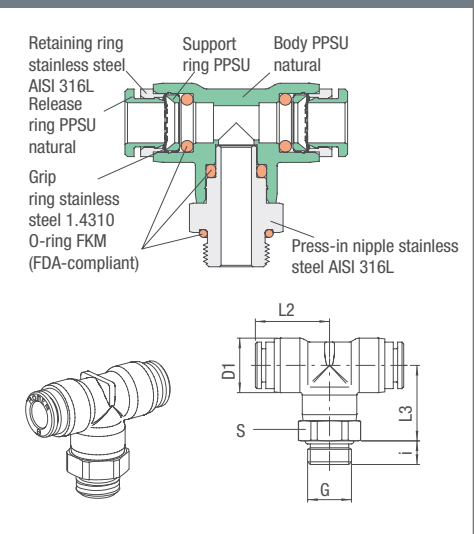
### Illustration



### T-Adaptor - Male - Positionable

Product group	<b>15</b>	Max. allow. OP at ambient temp. $T_{min} 0\text{ }^{\circ}\text{C}, T_{max} +60\text{ }^{\circ}\text{C}$			Thread cylindrical	Thread sealed by a FKM O-Ring in recess	not suitable for rotating or oscill. movement		NSF		Plastic PPSU		
for tube D	G	Max. allow. OP [bar] at medium temp.			i	L2	L3	D1	S	Weight in [g]	Type	Order number	Price
		20 °C	100 °C	140 °C									
4	G 1/8	20	16	10	5	19	19.5	14	13	18.7	921P3-4FF-1/8	367065	o. r.
4	G 1/4	20	16	10	7	19	20	14	17	27.3	921P3-4FF-1/4	367066	o. r.
6	G 1/8	20	16	10	5	19.5	19.5	14	13	18.9	921P3-6FF-1/8	367067	o. r.
6	G 1/4	20	16	10	7	19.5	20	14	17	27.6	921P3-6FF-1/4	367068	o. r.
8	G 1/8	16	12	6	5	22.5	22.5	17	17	28.8	921P3-8FF-1/8	366810	o. r.
8	G 1/4	16	12	6	7	22.5	22.5	17	17	33.3	921P3-8FF-1/4	366811	o. r.
8	G 3/8	16	12	6	8	22.5	22.5	17	19	42.2	921P3-8FF-3/8	366812	o. r.

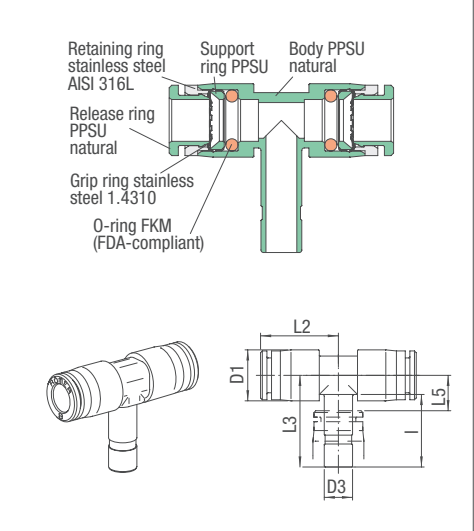
### Illustration



### T-Stem Connector

Product group <b>15</b>		Max. allow. OP at ambient temp. $T_{min} 0\text{ }^{\circ}\text{C}, T_{max} +60\text{ }^{\circ}\text{C}$			NSF		Plastic PPSU						
for tube D	Stem D3	Max. allow. OP [bar] at medium temp.			i	L2	L3	D1	L5	Weight in [g]	Type	Order number	Price
		20 °C	100 °C	140 °C									
4	4	20	16	10	17.5	19	22	12.5	9	o. r.	912P3-4FF-D4	367007	o. r.
4	6	20	16	10	18.5	19	23	12.5	9	o. r.	912P3-4FF-D6	367008	o. r.
6	4	20	16	10	17.5	19.5	22	14	9	o. r.	912P3-6FF-D4	367009	o. r.
6	6	20	16	10	18.5	19.5	23	14	9	o. r.	912P3-6FF-D6	367010	o. r.

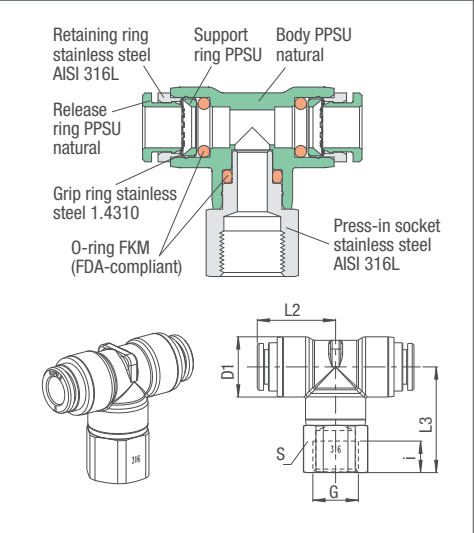
### Illustration



### T-Adaptor - Female - Positionable

Product group <b>15</b>		Max. allow. OP at ambient temp. $T_{min} 0\text{ }^{\circ}\text{C}, T_{max} +60\text{ }^{\circ}\text{C}$			Thread cylindrical		not suitable for rotating or oscill. movement		NSF		Plastic PPSU		
for tube D	G	Max. allow. OP [bar] at medium temp.			i	L2	L3	D1	S	Weight in [g]	Type	Order number	Price
		20 °C	100 °C	140 °C									
4	G 1/8	20	16	10	6.5	19	24.5	12	13	18.7	970P3-4FF-1/8	366770	o. r.
4	G 1/4	20	16	10	9	19	27.5	12	17	27.1	970P3-4FF-1/4	366771	o. r.
6	G 1/8	20	16	10	6.5	19.5	24.5	14	13	19	970P3-6FF-1/8	366772	o. r.
6	G 1/4	20	16	10	9	19.5	27.5	14	17	27.4	970P3-6FF-1/4	366773	o. r.
8	G 1/8	16	12	6	6.5	22.5	25.5	17	17	30.4	970P3-8FF-1/8	366774	o. r.
8	G 1/4	16	12	6	9	22.5	30.5	17	17	34.3	970P3-8FF-1/4	366775	o. r.

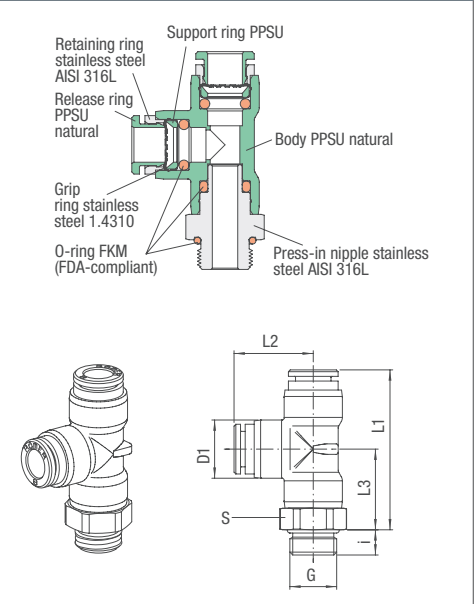
### Illustration



### Side T-Adaptor - Male - Positionable

Product group <b>15</b>		Max. allow. OP at ambient temp. $T_{min} 0\text{ }^{\circ}\text{C}, T_{max} +60\text{ }^{\circ}\text{C}$			Thread cylindrical		Thread sealed by a FKM O-Ring in recess		not suitable for rotating or oscill. movement		NSF		Plastic PPSU	
for tube D	G	Max. allow. OP [bar] at medium temp.			i	L1	L2	L3	D1	S	Weight in [g]	Type	Order number	Price
		20 °C	100 °C	140 °C										
4	G 1/8	20	16	10	5	38.5	19	19.5	14	13	18.7	922P3-4FF-1/8	367071	o. r.
4	G 1/4	20	16	10	7	39	19	20	14	17	27.3	922P3-4FF-1/4	367072	o. r.
6	G 1/8	20	16	10	5	39	19.5	19.5	14	13	18.9	922P3-6FF-1/8	367073	o. r.
6	G 1/4	20	16	10	7	39.5	19.5	20	14	17	27.6	922P3-6FF-1/4	367074	o. r.
8	G 1/8	16	12	6	5	44	22.5	22.5	17	17	28.8	922P3-8FF-1/8	366815	o. r.
8	G 1/4	16	12	6	7	45	22.5	22.5	17	17	33.3	922P3-8FF-1/4	366816	o. r.
8	G 3/8	16	12	6	8	45	22.5	22.5	17	19	42.2	922P3-8FF-3/8	366817	o. r.

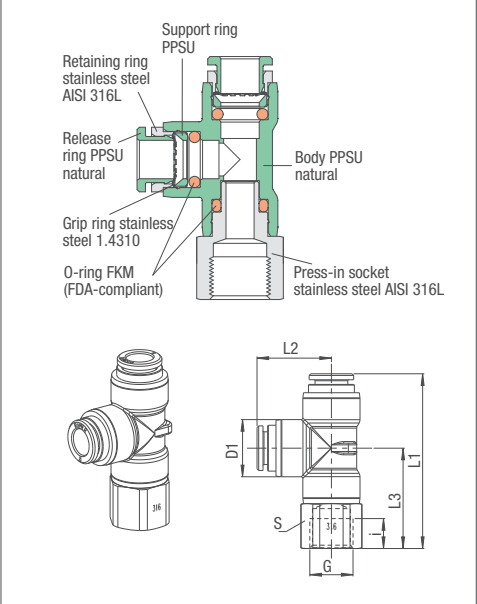
### Illustration



### Side T-Adaptor - Female - Positionable

for tube D	G	Max. allow. OP [bar] at medium temp.			i	L1	L2	L3	D1	S	Weight in [g]	Type	Order number	Price
		Max. allow. OP at ambient temp. $T_{min}$ 0 °C, $T_{max}$ +60 °C												
		20 °C	100 °C	140 °C										
Product group <b>15</b>		Max. allow. OP at ambient temp. $T_{min}$ 0 °C, $T_{max}$ +60 °C			Thread cylindrical		not suitable for rotating or oscill. movement		NSF		Plastic PPSU			
4	G 1/8	20	16	10	6.5	43.5	19	24.5	12	13	18.7	923P3-4FF-1/8	366778	o. r.
4	G 1/4	20	16	10	9	46.5	19	27.5	12	17	27.1	923P3-4FF-1/4	366779	o. r.
6	G 1/8	20	16	10	6.5	44	19.5	24.5	14	13	19	923P3-6FF-1/8	366780	o. r.
6	G 1/4	20	16	10	9	47	19.5	27.5	14	17	27.4	923P3-6FF-1/4	366781	o. r.
8	G 1/8	16	12	6	6.5	48	22.5	25.5	17	17	30.4	923P3-8FF-1/8	366782	o. r.
8	G 1/4	16	12	6	9	53	22.5	30.5	17	17	34.3	923P3-8FF-1/4	366783	o. r.

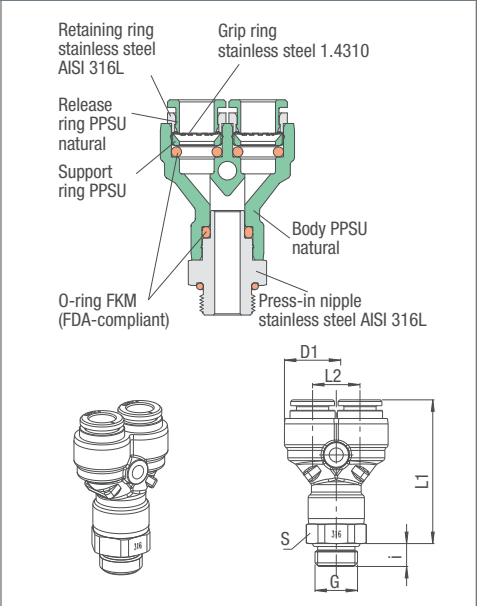
### Illustration



### Y-Adaptor - Male - Positionable

for tube D	G	Max. allow. OP [bar] at medium temp.			i	L1	L2	D1	S	Weight in [g]	Type	Order number	Price	
		Max. allow. OP at ambient temp. $T_{min}$ 0 °C, $T_{max}$ +60 °C												
		20 °C	100 °C	140 °C										
Product group <b>15</b>		Max. allow. OP at ambient temp. $T_{min}$ 0 °C, $T_{max}$ +60 °C			Thread cylindrical		Thread sealed by a FKM O-Ring in recess		not suitable for rotating or oscill. movement		NSF		Plastic PPSU	
4	G 1/8	20	16	10	5	38.5	12.5	12.5	13	19.7	992P3-4FF-1/8	367077	o. r.	
4	G 1/4	20	16	10	7	39	12.5	14	17	20.2	992P3-4FF-1/4	367078	o. r.	
6	G 1/8	20	16	10	5	39	12.5	14	13	20.2	992P3-6FF-1/8	367079	o. r.	
6	G 1/4	20	16	10	7	39.5	12.5	14	17	28.9	992P3-6FF-1/4	367080	o. r.	
8	G 1/8	16	12	6	5	43.5	14.5	17	17	29.2	992P3-8FF-1/8	366820	o. r.	
8	G 1/4	16	12	6	7	43.5	14.5	17	17	33.7	992P3-8FF-1/4	366821	o. r.	
8	G 3/8	16	12	6	8	43.5	14.5	17	19	42.6	992P3-8FF-3/8	366822	o. r.	

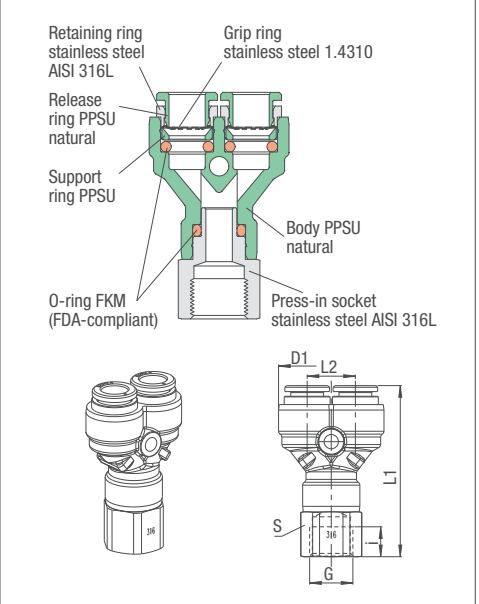
### Illustration



## Y-Adaptor - Female - Positionable

Product group		15			Max. allow. OP at ambient temp. T <sub>min</sub> 0 °C, T <sub>max</sub> +60 °C			Thread cylindrical		not suitable for rotating or oscill. movement		NSF		Plastic PPSU	
for tube D	G	Max. allow. OP [bar] at medium temp.			i	L1	L2	D1	S	Weight in [g]	Type	Order number	Price		
		20 °C	100 °C	140 °C											
4	G 1/8	20	16	10	6.5	43.5	12.5	12.5	13	19.4	993P3-4FF-1/8	366786	o. r.		
4	G 1/4	20	16	10	9	46.5	12.5	14	17	27.9	993P3-4FF-1/4	366787	o. r.		
6	G 1/8	20	16	10	6.5	44	12.5	14	13	19.7	993P3-6FF-1/8	366788	o. r.		
6	G 1/4	20	16	10	9	47	12.5	14	17	28.1	993P3-6FF-1/4	366789	o. r.		
8	G 1/8	16	12	6	6.5	46.5	14.5	17	17	31.3	993P3-8FF-1/8	366790	o. r.		
8	G 1/4	16	12	6	9	51.5	14.5	17	17	33.7	993P3-8FF-1/4	366791	o. r.		

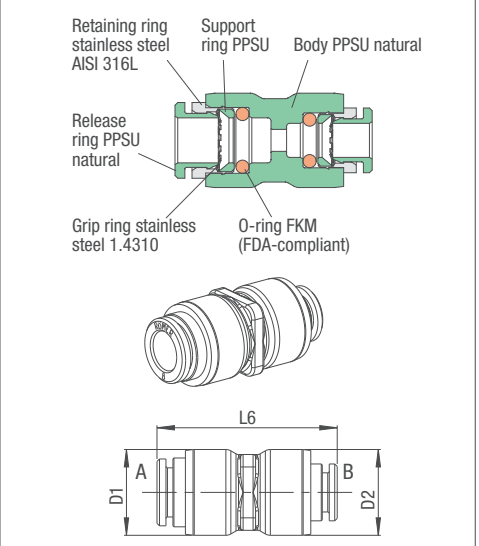
## Illustration



## Straight Connector

Product group		15			Max. allow. OP at ambient temp. T <sub>min</sub> 0 °C, T <sub>max</sub> +60 °C			NSF		Plastic PPSU	
for tube AD	for tube BD	Max. allow. OP [bar] at medium temp.			L6	D1	D2	Weight in [g]	Type	Order number	Price
		20 °C	100 °C	140 °C							
4	4	20	16	10	32	12.5	12.5	6	958P3-4FF	367083	o. r.
6	4	20	16	10	32.5	14	14	6.7	958P3-6-4FF	367084	o. r.
6	6	20	16	10	33	14	14	7	958P3-6FF	367085	o. r.
8	6	16	12	6	36	17	17	10.4	958P3-8-6FF	367086	o. r.
8	8	16	12	6	36.5	17	17	11.1	958P3-8FF	367087	o. r.

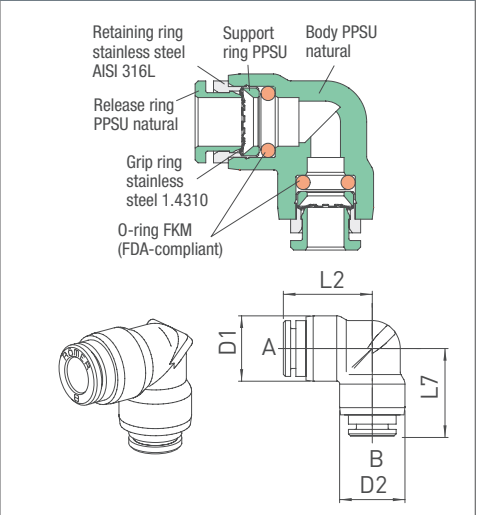
## Illustration



## 90° Elbow Connector

Product group		15			Max. allow. OP at ambient temp. T <sub>min</sub> 0 °C, T <sub>max</sub> +60 °C			NSF		Plastic PPSU		
for tube AD	for tube BD	Max. allow. OP [bar] at medium temp.			L2	L7	D1	D2	Weight in [g]	Type	Order number	Price
		20 °C	100 °C	140 °C								
4	4	20	16	10	17.5	17.5	12	12	6.5	955P3-4FF	367088	o. r.
6	4	20	16	10	19.5	19	14	14	7.2	955P3-6-4FF	367089	o. r.
6	6	20	16	10	19.5	19.5	14	14	7.5	955P3-6FF	367090	o. r.
8	6	16	12	6	22.5	22	17	17	12.5	955P3-8-6FF	367091	o. r.
8	8	16	12	6	22.5	22.5	17	17	13	955P3-8FF	367092	o. r.

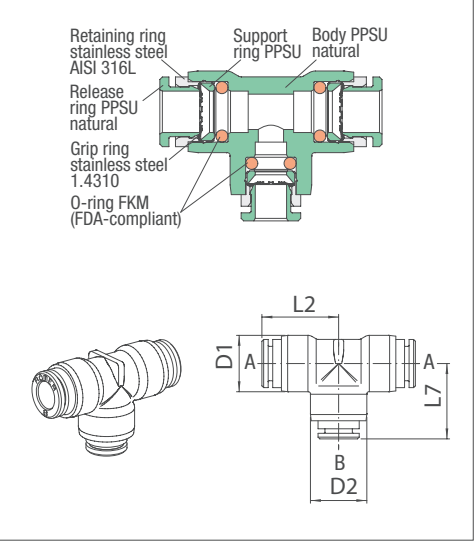
## Illustration



### T-Connector

Product group <b>15</b>		Max. allow. OP at ambient temp. $T_{min} 0\text{ }^{\circ}\text{C}, T_{max} +60\text{ }^{\circ}\text{C}$			NSF		Plastic PPSU					
for tube AD	for tube BD	Max. allow. OP [bar] at medium temp.			L2	L7	D1	D2	Weight in [g]	Type	Order number	Price
		20 °C	100 °C	140 °C								
4	4	20	16	10	17.5	17.5	12	12	9.4	954P3-4FF	367093	o. r.
6	4	20	16	10	19.5	19	14	14	10.6	954P3-6-4FF	367094	o. r.
6	6	20	16	10	19.5	19.5	14	14	11	954P3-6FF	367095	o. r.
6	8	16	12	6	22.5	22.5	17	17	15.5	954P3-6-8FF	367082	o. r.
8	6	16	12	6	22.5	22	17	17	17.8	954P3-8-6FF	367096	o. r.
8	8	16	12	6	22.5	22.5	17	17	18.3	954P3-8FF	367097	o. r.

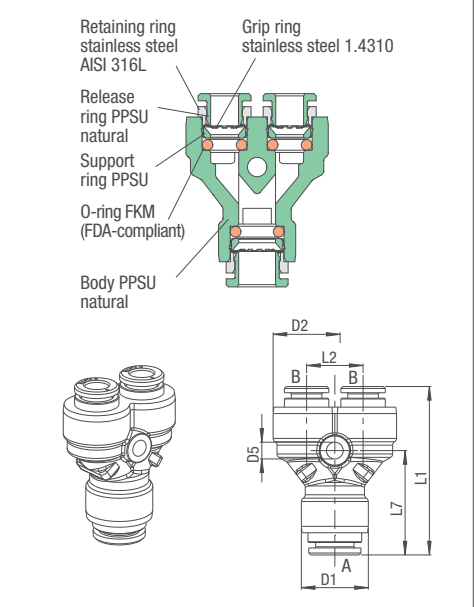
### Illustration



### Y-Connector

Product group <b>15</b>		Max. allow. OP at ambient temp. $T_{min} 0\text{ }^{\circ}\text{C}, T_{max} +60\text{ }^{\circ}\text{C}$			NSF		Plastic PPSU							
for tube AD	for tube BD	Max. allow. OP [bar] at medium temp.			L1	L2	L7	D1	D2	D5	Weight in [g]	Type	Order number	Price
		20 °C	100 °C	140 °C										
4	4	20	16	10	38	12.5	23	12.5	12.5	3.3	10.3	982P3-4FF	367098	o. r.
6	4	20	16	10	38.5	12.5	23.5	14	14	3.3	11.4	982P3-6-4FF	367099	o. r.
6	6	20	16	10	39	12.5	23.5	14	14	3.3	12	982P3-6FF	367100	o. r.
8	6	16	12	6	43.5	14.5	27	17	17	4.3	16	982P3-8-6FF	366801	o. r.
8	8	16	12	6	43.5	14.5	27	17	17	4.3	18	982P3-8FF	366802	o. r.

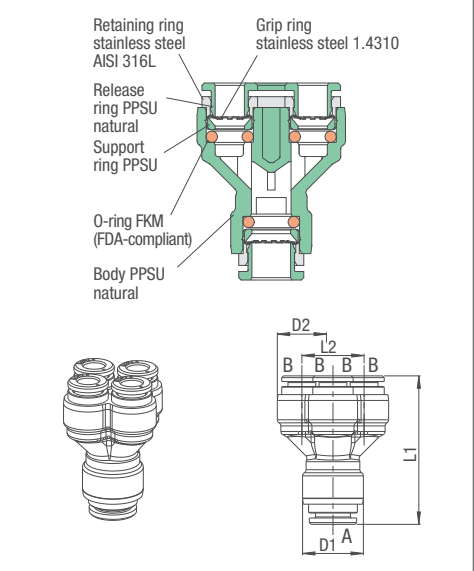
### Illustration



### Double Y-Connector

Product group <b>15</b>		Max. allow. OP at ambient temp. $T_{min} 0\text{ }^{\circ}\text{C}, T_{max} +60\text{ }^{\circ}\text{C}$			NSF		Plastic PPSU					
for tube AD	for tube BD	Max. allow. OP [bar] at medium temp.			L1	L2	D1	D2	Weight in [g]	Type	Order number	Price
		20 °C	100 °C	140 °C								
6	6	20	16	10	41.5	17.5	17	14	12	984P3-6FF	366803	o. r.
8	6	16	12	6	42	17.5	17	14	12	984P3-8-6FF	366804	o. r.

### Illustration



## Straight Bulkhead Connector

Product group **15** Max. allow. OP at ambient temp.  
 $T_{min}$  0 °C,  $T_{max}$  +60 °C



Plastic  
PPSU

for tube AD	for tube BD	Max. allow. OP [bar] at medium temp.			M	L1	L6	D1	D2	S	S3	Weight in [g]	Type	Order number	Price
		20 °C	100 °C	140 °C											
4	4	20	16	10	M16x1	6.3	31.5	9.5	12.7	19	19	18.2	959P3-4FF	366794	o. r.
6	6	20	16	10	M16x1	6.5	32.9	11.5	13.9	19	19	17.1	959P3-6FF	366795	o. r.
8	8	16	12	6	M20x1	7.8	36.5	13.4	17.2	24	24	28.1	959P3-8FF	366796	o. r.

## Illustration

