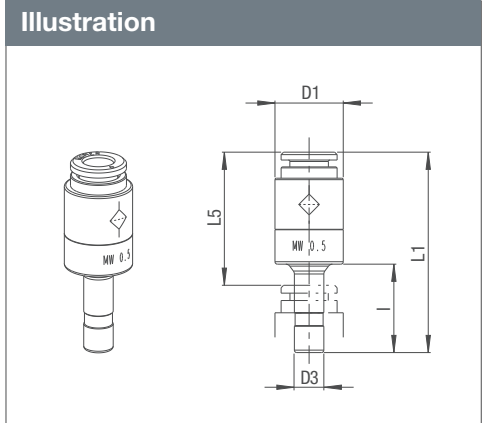
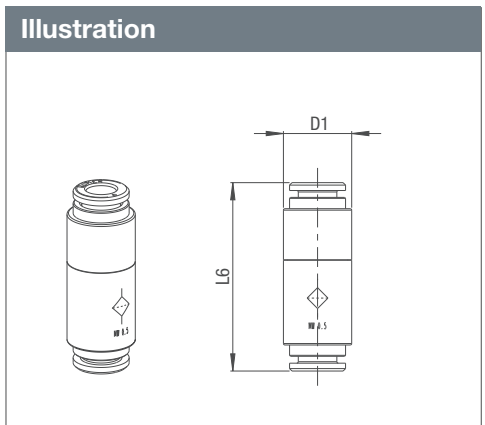


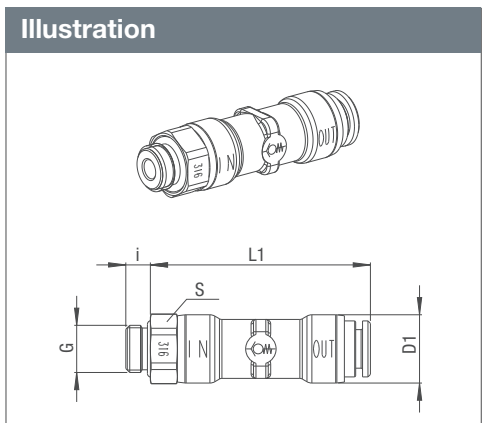
Filter with Push-in Connector and Stem												
Product group	23	PN	16		Amb. temp. T_{min} 0 °C, T_{max} +60 °C Med.-Temp. T_{min} 0 °C, T_{max} +140 °C				Plastic PPSU			
Operating pressure 0 to max. 16 bar Temperature-dependent				Material: Body: PPSU, filter: 1.4301, Seal: EPDM (KTW-approved)								
DN	KV value water [m³/h]	for tube D	D3	I	L1	L5	D1	Mesh size MW [mm]	Weight in [g]	Type	Order number	Price
2.5	0.15	4	4	17	40.5	25.5	14	0.1	4.7	SMF-947P3-4PF-D4-100	498143	o. r.
2.5	0.15	4	4	17	40.5	25.5	14	0.5	4.8	SMF-947P3-4PF-D4-500	498144	o. r.
4	0.5	6	6	18	41	25	14	0.1	4.8	SMF-947P3-6PF-D6-100	498145	o. r.
4	0.5	6	6	18	41	25	14	0.5	4.9	SMF-947P3-6PF-D6-500	498146	o. r.



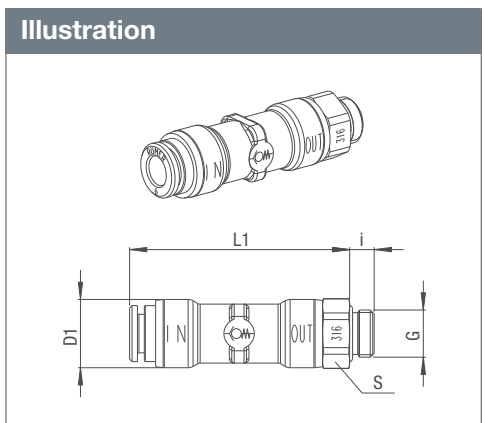
Filter with Push-in Connectors											
Product group	23	PN	16		Amb. temp. T_{min} 0 °C, T_{max} +60 °C Med.-Temp. T_{min} 0 °C, T_{max} +140 °C				Plastic PPSU		
Operating pressure 0 to max. 16 bar Temperature-dependent				Material: Body: PPSU, filter: 1.4301, Seal: EPDM (KTW-approved)							
DN	KV value water [m³/h]	for tube D	L6	D1	Mesh size MW [mm]	Weight in [g]	Type	Order number	Price		
2.5	0.15	4	37.5	14	0.1	7.3	SMF-958P3-4PF-100	498147	o. r.		
2.5	0.15	4	37.5	14	0.5	7.4	SMF-958P3-4PF-500	498148	o. r.		
4	0.5	6	38.5	14	0.1	7.6	SMF-958P3-6PF-100	498149	o. r.		
4	0.5	6	38.5	14	0.5	7.7	SMF-958P3-6PF-500	498150	o. r.		



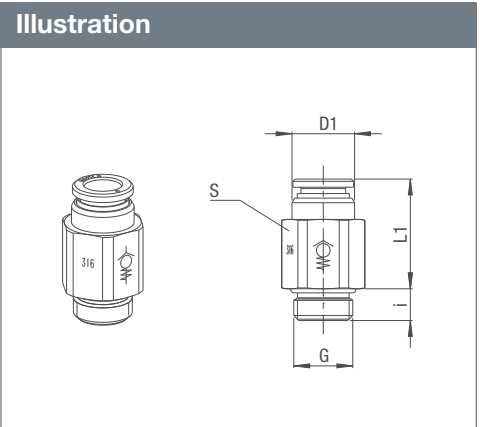
Non-Return Valve with Push-in Connector on Outlet											
Product group	23	PN	16		Constr. design: spring-loaded cone non-return valve			Amb. temp. T_{min} 0 °C, T_{max} +60 °C Med. temp. T_{min} 0 °C, T_{max} +140 °C			Plastic PPSU
Operating pressure 0.1 to max. 16 bar; Temperature-dependent				Thread sealed by a FKM O-Ring in recess		Material: Body: PPSU, nipple: 1.4404, cone PPSU, spring: Stainless steel 1.4310, seal: FKM (FDA-compliant)					
DN	KV value water [m³/h]	for tube D	G	i	L1	D1	S	Weight in [g]	Type	Order number	Price
2.5	0.15	4	1/8	5	48	14	13	20.2	VNR-951-P325-4FF-1/8	634901	o. r.
2.5	0.15	4	1/4	7	48.5	14	17	29.5	VNR-951-P325-4FF-1/4	634902	o. r.
4	0.5	6	1/8	5	45	14	13	17	VNR-951-P340-6FF-1/8	634903	o. r.
4	0.5	6	1/4	7	45.5	14	17	26.4	VNR-951-P340-6FF-1/4	634904	o. r.



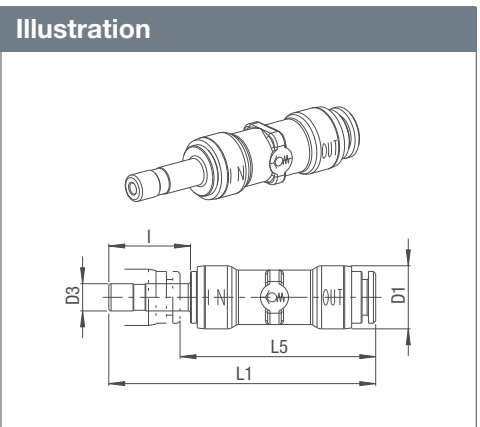
Non-Return Valve with Push-in Connector on Inlet											
Product group	23	PN	16		Constr. design: spring-loaded cone non-return valve			Amb. temp. T_{min} 0 °C, T_{max} +60 °C Med. temp. T_{min} 0 °C, T_{max} +140 °C			Plastic PPSU
Operating pressure 0.1 to max. 16 bar; Temperature-dependent				Thread sealed by a FKM O-Ring in recess		Material: Body: PPSU, nipple: 1.4404, cone PPSU, spring: Stainless steel 1.4310, seal: FKM (FDA-compliant)					
DN	KV value water [m³/h]	for tube D	G	i	L1	D1	S	Weight in [g]	Type	Order number	Price
2.5	0.15	4	1/8	5	44.5	14	13	16.8	VRN-951-P325-4FF-1/8	634909	o. r.
2.5	0.15	4	1/4	7	45	14	17	26.2	VRN-951-P325-4FF-1/4	634910	o. r.
4	0.5	6	1/8	5	45	14	13	17	VRN-951-P340-6FF-1/8	634911	o. r.
4	0.5	6	1/4	7	45.5	14	17	26.5	VRN-951-P340-6FF-1/4	634912	o. r.



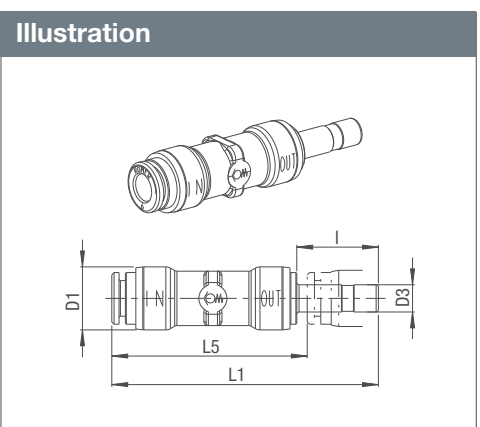
Non-Return Valve with Push-in Connector on Inlet											
Product group	23	PN	8		Constr. design: spring-loaded cone non-return valve	T_{min} 0 °C T_{max} +140 °C		Stainless steel AISI 316L			
Operating pressure 0.1 to max. 8 bar		Thread sealed by a FKM O-Ring in recess			Material: Body: 1.4404, cone PPSU, spring: Stainless steel 1.4310, seal: FKM (FDA-compliant)						
DN	KV value water [m³/h]	for tube D	G	i	L1	D1	S	Weight in [g]	Type	Order number	Price
4	0.5	8	1/4	7	24	14	17	26.8	VRN-951-X 440-8FF-1/4	634943	o. r.



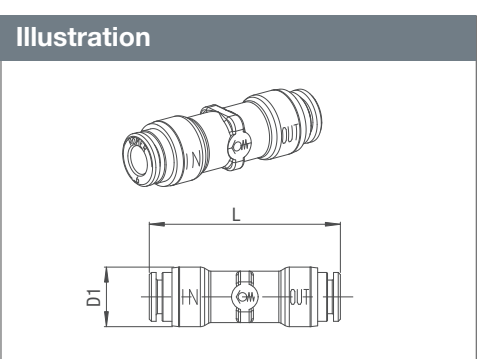
Non-Return Valve with Plug-in Connector - Stem on Inlet											
Product group	23	PN	16		Constr. design: spring-loaded cone non-return valve	Amb. temp. T_{min} 0 °C, T_{max} +60 °C Med. temp. T_{min} 0 °C, T_{max} +140 °C		Plastic PPSU			
Operating pressure 0.1 to max. 16 bar Temperature-dependent		Material: Body: PPSU, Stem: 1.4404, cone PPSU, spring: Stainless steel 1.4310, seal: FKM (FDA-compliant)									
DN	KV value water [m³/h]	for tube D	D3	I	L1	L5	D1	Weight in [g]	Type	Order number	Price
2.5	0.15	4	4	17	60.5	47	14	14.3	VNR-947-P325-4FF-D4	634917	o. r.
2.5	0.15	4	6	18	61.5	46	14	15.4	VNR-947-P325-4FF-D6	634918	o. r.
2.5	0.15	6	4	17	57.5	43.5	14	11.2	VNR-947-P325-6FF-D4	634919	o. r.
4	0.5	6	6	18	58.5	43.5	14	12.3	VNR-947-P340-6FF-D6	634920	o. r.



Non-Return Valve with Plug-in Connector - Stem on Outlet											
Product group	23	PN	16		Constr. design: spring-loaded cone non-return valve	Amb. temp. T_{min} 0 °C, T_{max} +60 °C Med. temp. T_{min} 0 °C, T_{max} +140 °C		Plastic PPSU			
Operating pressure 0.1 to max. 16 bar Temperature-dependent		Material: Body: PPSU, Stem: 1.4404, cone PPSU, spring: Stainless steel 1.4310, seal: FKM (FDA-compliant)									
DN	KV value water [m³/h]	for tube D	D3	I	L1	L5	D1	Weight in [g]	Type	Order number	Price
2.5	0.15	4	4	17	57	42	14	11	VRN-947-P325-4FF-D4	634925	o. r.
2.5	0.15	4	6	18	58	42	14	12	VRN-947-P325-4FF-D6	634926	o. r.
2.5	0.15	6	4	17	57.5	43.5	14	11.2	VRN-947-P325-6FF-D4	634927	o. r.
4	0.5	6	6	18	58.5	43.5	14	12.3	VRN-947-P340-6FF-D6	634928	o. r.



Non-Return Valve with Push-in Connectors											
Product group	23	PN	16		Constr. design: spring-loaded cone non-return valve	Amb. temp. T_{min} 0 °C, T_{max} +60 °C Med. temp. T_{min} 0 °C, T_{max} +140 °C		Plastic PPSU			
Operating pressure 0.1 to max. 16 bar Temperature-dependent		Material: Body: PPSU, cone PPSU, spring: Stainless steel 1.4310, seal: FKM (FDA-compliant)									
DN	KV value water [m³/h]	for tube D	L	D1	Temperature [°C]	Operating pressure Temperature-dependent [bar]	Weight in [g]	Type	Order number	Price	
2.5	0.15	4	47.3	13.9	0 to +140	0.1 to max. 16	11.1	VNR-958-P325-4FF	635077	o. r.	
4	0.5	6	44.6	13.9	0 to +140	0.1 to max. 16	8.1	VNR-958-P340-6FF	635080	o. r.	



Non-Return Valve with Push-in Connectors and Hose Tail

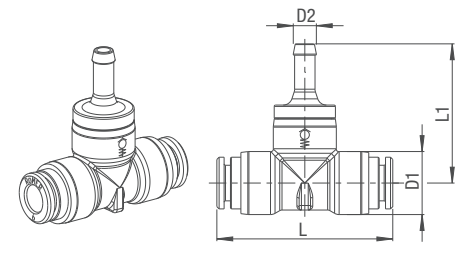
Product group	23	PN	16		Constr. design: spring-loaded cone non-return valve	Amb. temp. T_{min} 0 °C, T_{max} +60 °C Med. temp. T_{min} 0 °C, T_{max} +140 °C		Plastic PPSU
---------------	-----------	----	----	--	---	---	--	--------------

Operating pressure 0.1 to max. 16 bar
Temperature-dependent

Material: Body: PPSU, cone PPSU, spring: Stainless steel 1.4310, seal: FKM (FDA-compliant)

DN	KV value water [m³/h]	for tube D	for tube LW	L	L1	D1	D2	Weight in [g]	Type	Order number	Price
2.5	0.15	4	3.5-4	38	30.5	14	5.1	14.6	VRN-954-P325-4FF-4	634933	o. r.
3	2	6	3.5-4	39	30.5	14	5.1	14.7	VRN-954-P330-6FF-4	634934	o. r.

Illustration



Non-Return Valve with Push-in Connectors

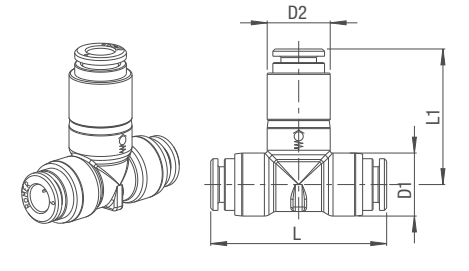
Product group	23	PN	16		Constr. design: spring-loaded cone non-return valve	Amb. temp. T_{min} 0 °C, T_{max} +60 °C Med. temp. T_{min} 0 °C, T_{max} +140 °C		Plastic PPSU
---------------	-----------	----	----	--	---	---	--	--------------

Operating pressure 0.1 to max. 16 bar
Temperature-dependent

Material: Body: PPSU, cone PPSU, spring: Stainless steel 1.4310, seal: FKM (FDA-compliant)

DN	KV value water [m³/h]	for tube D	L	L1	D1	D2	Weight in [g]	Type	Order number	Price
2.5	0.15	4	38	29.5	13	14	20.6	VRN-954-P325-4FF	634937	o. r.
4	0.3	6	39	30	17	14	19.1	VRN-954-P340-6FF	634938	o. r.

Illustration



Throttle Valve with Push-in Connectors

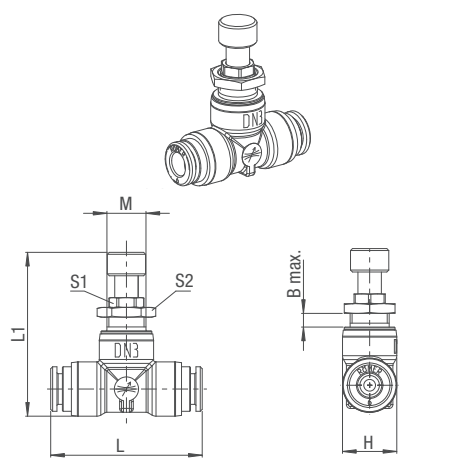
Product group	27	PN	20		Constr. design: Precision cone throttle	Amb. temp. T_{min} 0 °C, T_{max} +60 °C Med. temp. T_{min} 0 °C, T_{max} +140 °C		Plastic PPSU
---------------	-----------	----	----	--	---	---	--	--------------

Operating pressure 0 to max. 20 bar
Temperature-dependent

Material: Body: PPSU, spindle 1.4404, seal: FKM (FDA-compliant)

DN	KV value water [m³/h]	for tube D	L	L1	M	B	H	S1	S2	Weight in [g]	Type	Order number	Price
1.5	0-0.05	4	38	42	M10x1	3.5	14	8	13	23	RFO-958-P315-4FF	635635	o. r.
1.5	0-0.05	6	39	42	M10x1	3.5	14	8	13	23.2	RFO-958-P315-6FF	635636	o. r.
2	0-0.1	4	38	42	M10x1	3.5	14	8	13	23.1	RFO-958-P320-4FF	635637	o. r.
2	0-0.1	6	39	42	M10x1	3.5	14	8	13	23.2	RFO-958-P320-6FF	635638	o. r.
3	0-0.2	6	39	42	M10x1	3.5	14	8	13	23.3	RFO-958-P330-6FF	635639	o. r.

Illustration



Shut-Off Valve with Push-in Connectors

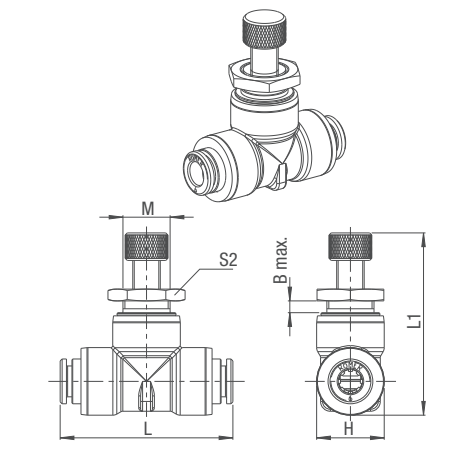
Product group	27	PN	16		Constr. design: Cone poppet valve	Amb. temp. T_{min} 0 °C, T_{max} +60 °C Med. temp. T_{min} 0 °C, T_{max} +140 °C		Plastic PPSU
---------------	-----------	----	----	--	-----------------------------------	---	--	--------------

Operating pressure 0 to max. 16 bar
Temperature-dependent

Material: Body: PPSU, spindle 1.4404, Seal: FKM (FDA-compliant)

DN	KV value water [m³/h]	for tube D	L	L1	M	B	H	S2	Weight in [g]	Type	Order number	Price
4	0-0.5	6	44	46.5	M12x1	3.5	17	17	35.6	AFO-958-P340-6FF	694949	o. r.

Illustration



Quick Coupling with Push-in Connectors - int. NRV

Product group **23**



Constr. design: Quick-release coupling with single-sided integrated non-return valve

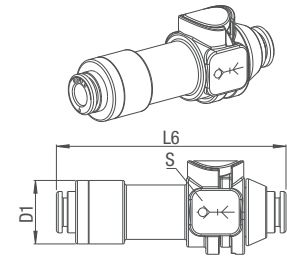


Plastic PPSU

Material: Body: PPSU, cone PPSU, spring: Stainless steel 1.4310, seal: FKM (FDA-compliant)

DN	KV value water [m³/h]	for tube D	Max. allow. OP [bar] at medium temp.			L6	D1	S	Weight in [g]	Type	Order number	Price
			20 °C	100 °C	140 °C							
2.5	0.16	4	12	8	4	62.5	17.5	20	18.4	SVK-958-P325-4FF	359320	o. r.
4	0.35	6	12	8	4	63.5	17.5	20	18.6	SVK-958-P340-6FF	359321	o. r.

Illustration



Bulkhead Quick Coupling with Push-in Connectors, int. NRV

Product group **23**



Constr. design: Schott quick-release coupling with single-sided integrated non-return valve

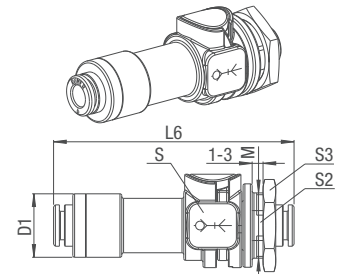


Plastic PPSU

Material: Body: PPSU, cone PPSU, spring: Stainless steel 1.4310, seal: FKM (FDA-compliant)

DN	KV value water [m³/h]	for tube D	Max. allow. OP [bar] at medium temp.			L6	M	D1	S	S2	S3	Weight in [g]	Type	Order number	Price
			20 °C	100 °C	140 °C										
2.5	0.16	4	12	8	4	65.5	M18x1	17.5	20	16	22	25.5	SVK-959-P325-4FF	359322	o. r.
4	0.35	6	12	8	4	66.5	M18x1	17.5	20	16	22	26.0	SVK-959-P340-6FF	359323	o. r.

Illustration



Pressure Relief Valve

Product group **23**



Constr. design: Pressure relief valve

Max. allow. OP at ambient temp.
T_{min} 0 °C, T_{max} +60 °C



Plastic PPSU

Material: Body: PPSU, spring: Stainless steel 1.4310, contact with the medium internals: Stainless steel 1.4404; seal: FKM (FDA-compliant)

This pressure relief valve is not approved as a safety valve!

for tube AD	for tube BD	DN	Max. allow. OP [bar] at medium temp.			L	opening pressure [air]	Weight in [g]	Type	Order number	Price
			20 °C	100 °C	140 °C						
4	6	2.5	6	6	6	38	3	27	UDV-982P3-6-4PF-030	499101	o. r.
4	6	2.5	10	10	10	38	6	27	UDV-982P3-6-4PF-060	499102	o. r.
4	6	2.5	14	12	10	38	10	27	UDV-982P3-6-4PF-100	499103	o. r.
6	6	2.5	6	6	6	39	3	28	UDV-982P3-6PF-030	499104	o. r.
6	6	2.5	10	10	10	39	6	28	UDV-982P3-6PF-060	499105	o. r.
6	6	2.5	14	12	10	39	10	28	UDV-982P3-6PF-100	499106	o. r.

Illustration

