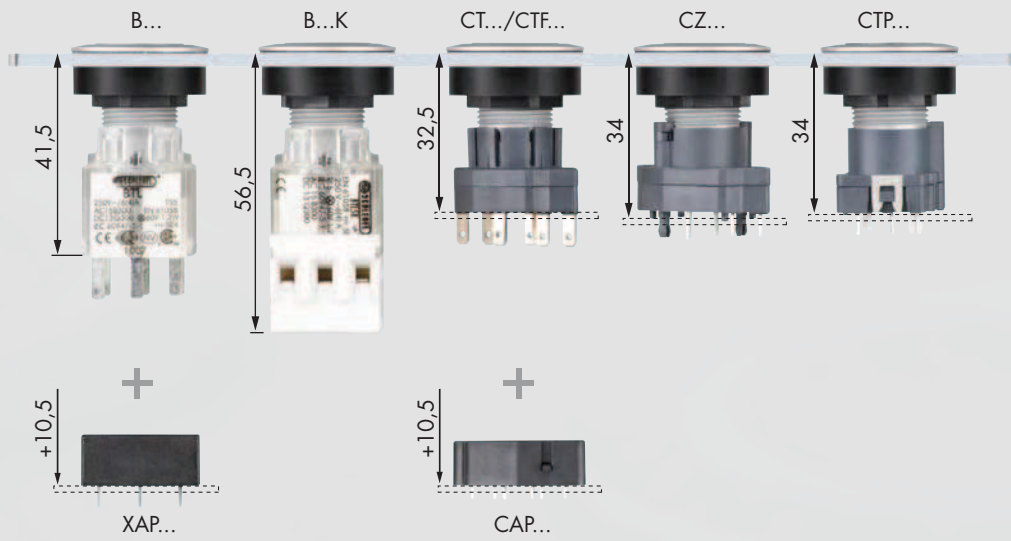


Front dimensions: Ø 28 mm
Panel cut-out: Ø 22 mm
Front bezel height: 2 mm
Travel: 3 mm

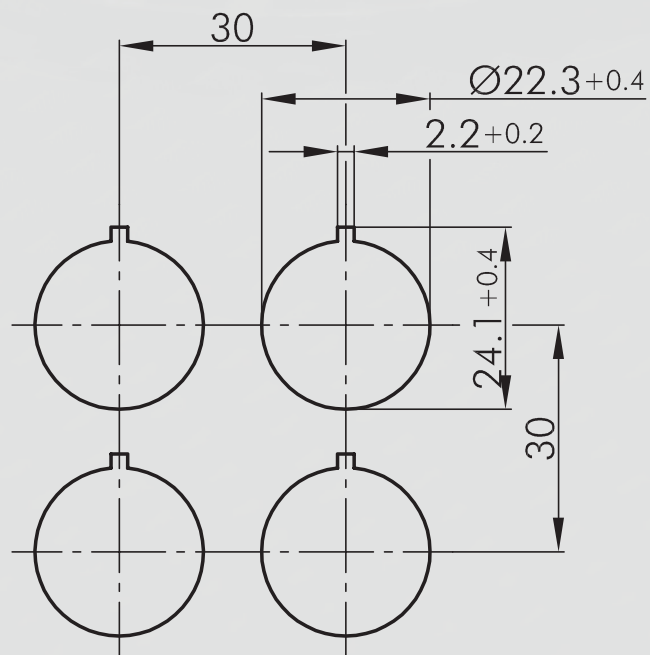


FRONTIERON-RJ Exclusive

Mounting Depth Dimensions


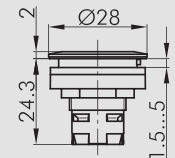
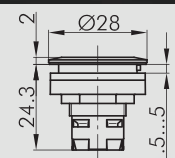


Cutout Dimensions



Pushbutton Heads (momentary/push-push)

other decors on request,
for the contact combinations, refer to RRJTLR in the Rontron-R-Juwel combination table

Illustration	Dimensions	Description	Type
 <p>IP65 3mm Lightbulb icon</p>		<p>Pushbutton Head with ring illumination and burl wood decor incl. push-cap front bezel burl wood decor</p>	RRJTLRE01
 <p>IP65 3mm Lightbulb icon</p>		<p>Pushbutton Head with ring illumination and carbon decor incl. push-cap front bezel carbon decor</p>	RRJTLRE02

Index

About Us

Control Units

Actuators

Bus Technology

Enclosures

Limit Switches

Pedal Switches

Terminal Blocks